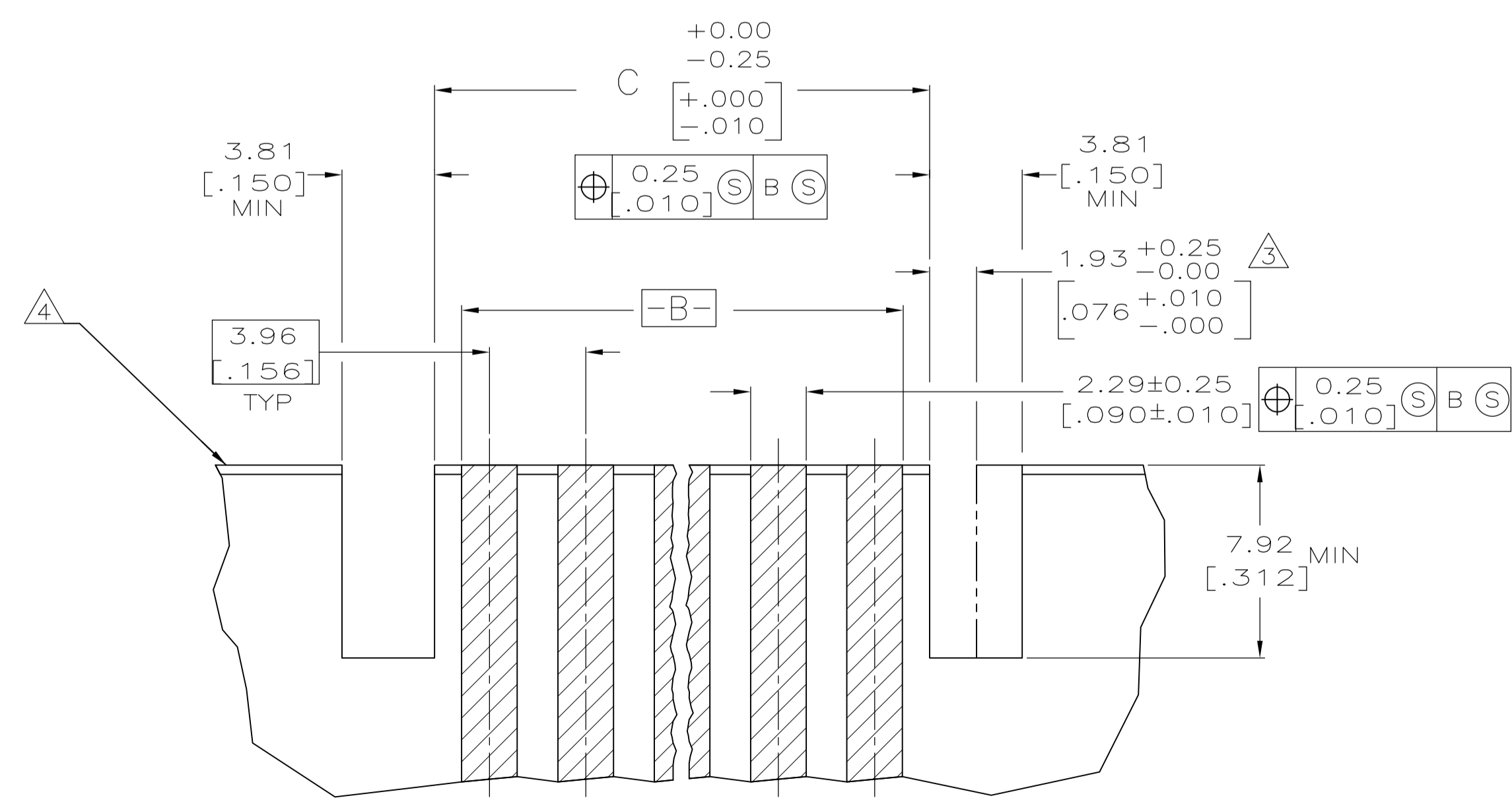
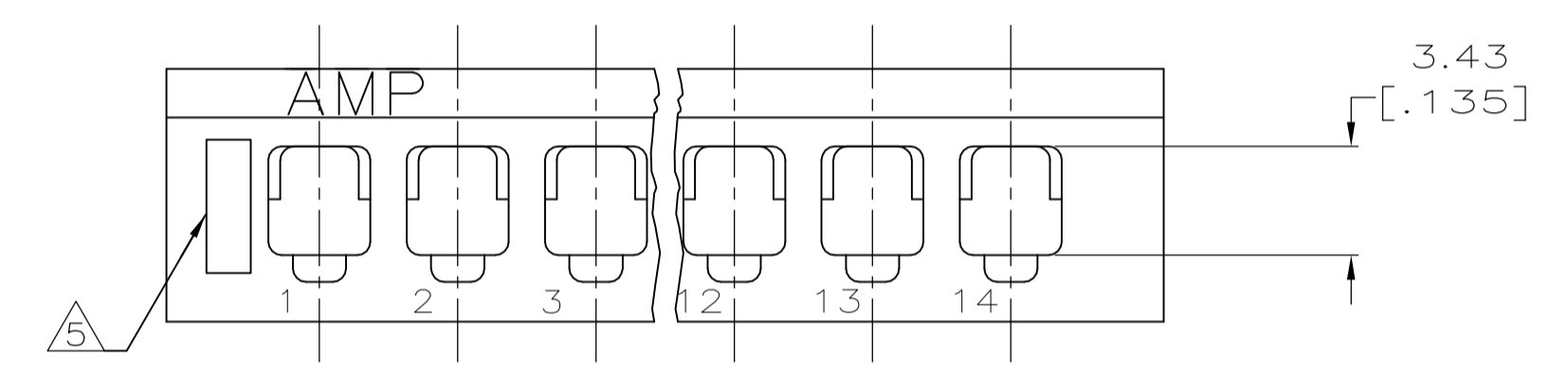
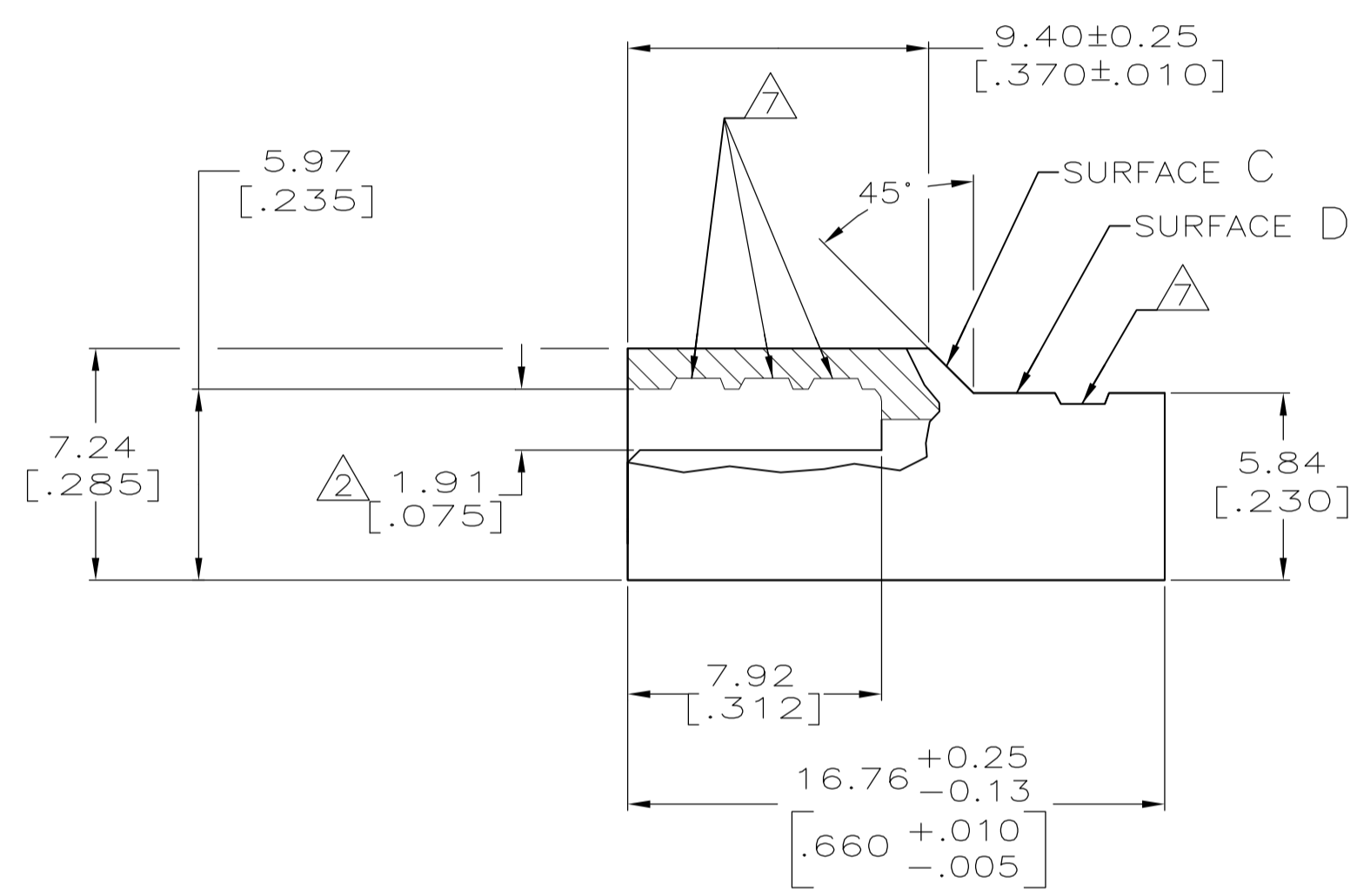
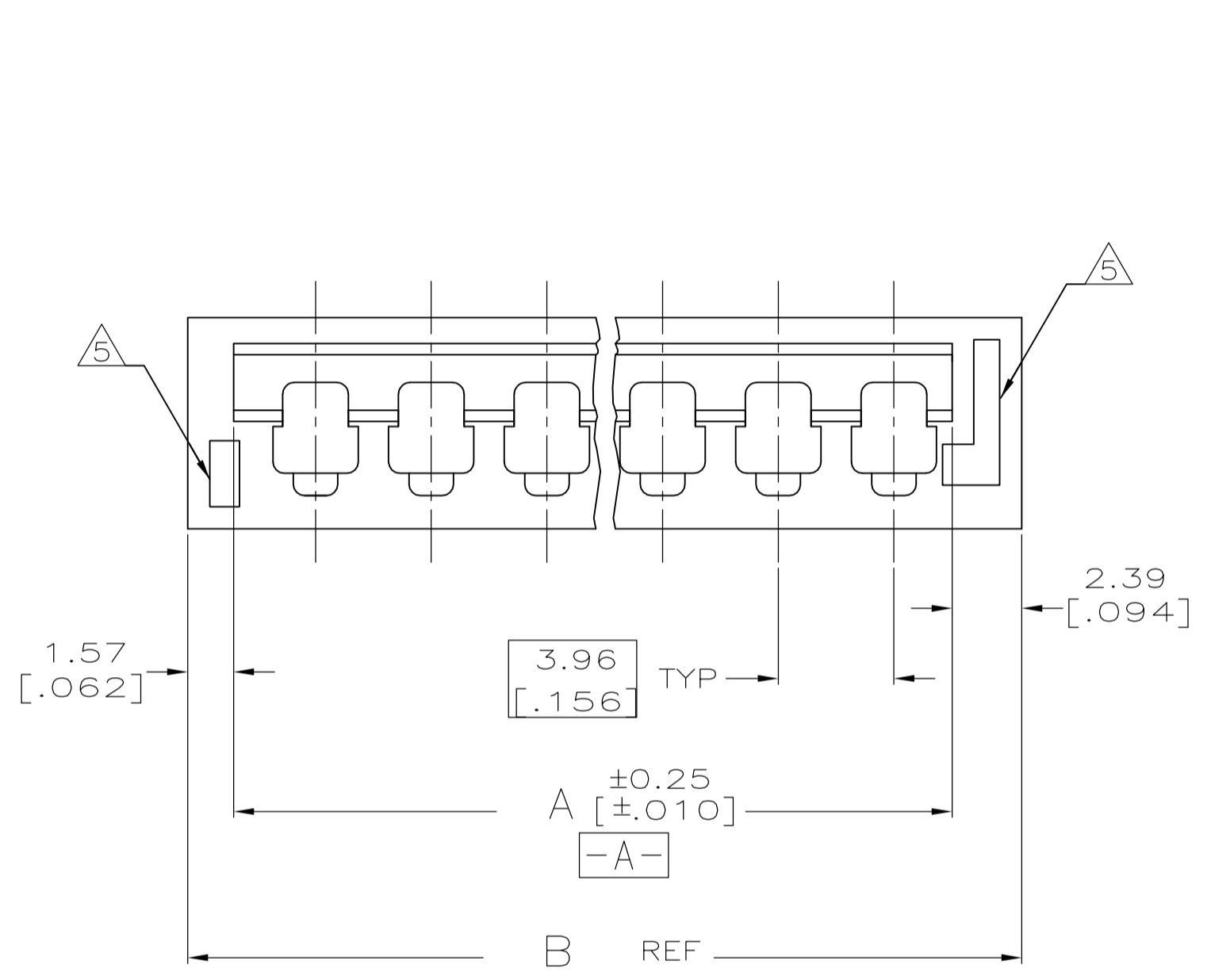
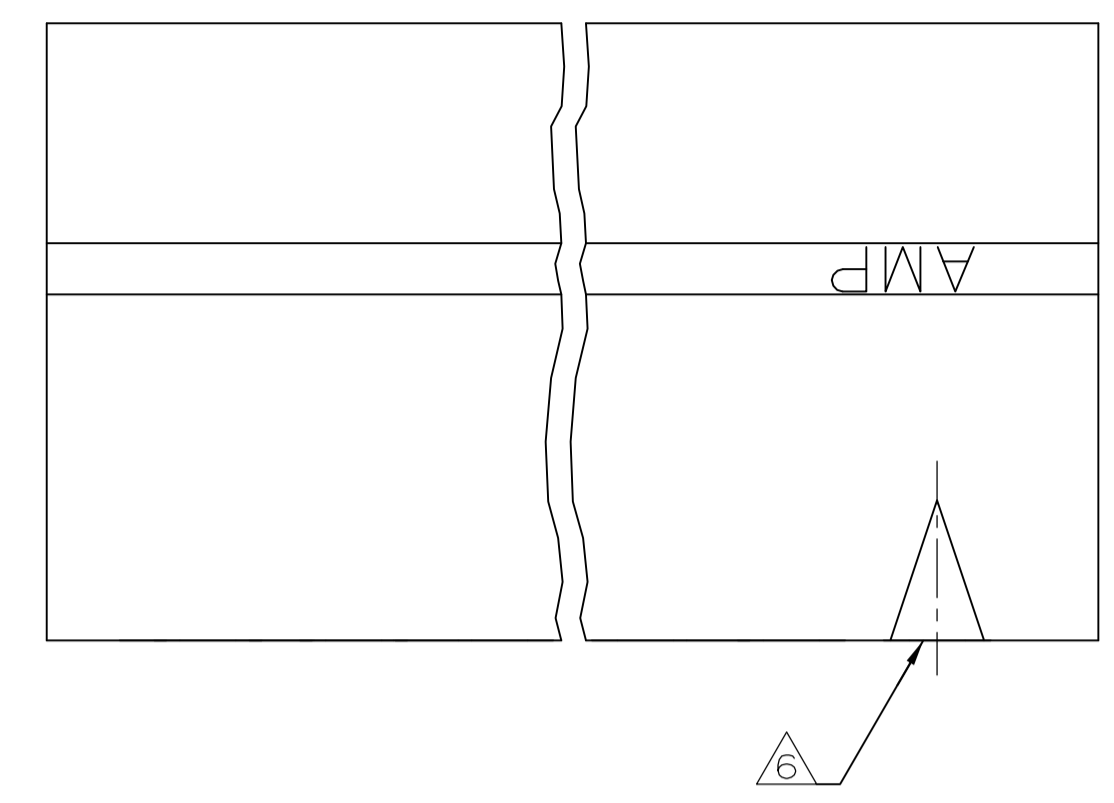


LOC		DIST		P		F		ZONE		LTR		REVISIONS		DATE		APPD	
CM	52											F	OBS -4 & -14 PER EC 0L30-0123-96	8-12-97	JH	RS	
												F1	REVISED PER ECO-09-022908	08OCT09	KK	AEG	

1. HOUSING ACCEPTS CONTACTS P/N 61668 OR 350194.
- ② MEASURED AT ENDS OF CARD SLOT.
- ③ RECOMMENDED CUTOUT FOR HOUSING POLARIZATION. WHERE REQUIRED.
- ④ 0.38 [.015] MIN X 45° CHAMFER RECOMMENDED ON BOTH SIDES OF BOARD.
- ⑤ CORING OPTIONAL.
- ⑥ OPTIONAL FROSTED SURFACE LOCATED ON  $\phi$  OF CIRCUIT NO. 1; ANOTHER OPTION IS A RECESSED TRIANGLE ON SURFACE C WITH A FROSTED AMP LOGO ON SURFACE D.
- ⑦ OPTIONAL PULL GROOVE AS REQUIRED FOR MOLDING.
8. DIMENSIONS IN BRACKETS ARE IN INCHES.
- ⑨ OBSOLETE PARTS: OBSOLETE CIS STREAMLINING PER D.RENAUD/D.SINISI



RECOMMENDED LAYOUT PATTERN  
 FOR 1.575±0.191 [.0620±.0075] THICK  
 P.C. BOARD INCLUDING CIRCUITRY



C	B	A	NO OF CIRCUITS	PART NO.
44.17[1.739]	48.41[1.906]	44.45[1.750]	11	1-770438-1
36.25[1.427]	40.49[1.594]	36.53[1.438]	9	770438-9
24.33[.958]	28.58[1.125]	24.61[.969]	6	770438-6
20.37[.802]	24.61[.969]	20.65[.813]	5	770438-5
⑨ OBSOLETE 12.42[.489]	16.66[.656]	12.70[.500]	3	770438-3

DO NOT SCALE PRINT. UNLESS SPECIFIED DIMENSIONS IN mm [INCHES] TOLERANCES ON:		DR 2-20-92 K. SALMON		AMP Incorporated Harrisburg, PA 17105-3608	
2 PLC DEC ±		CHK 2-20-92 R. SWING			
3 PLC DEC ± 0.13 [.005]		APPD 4-24-92 W. LONG		NAME	
ANGLES ±		APPD 4-24-92 W. LONG		HOUSING, EDGE CONNECTOR, BIFURCATED LEAF	
MATERIAL		PRODUCT SPEC		SIZE	
POLYESTER, UL94V-0 (NATURAL)		-		D 00779	
FINISH		APPLICATION SPEC		CAGE CODE	
-		-		00779	
WEIGHT		SCALE		DRAWING NO	
-		5:1		770438	
				REV	
				F1	
				SHEET	
				1 OF 1	