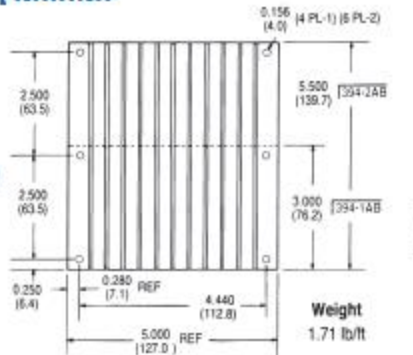


wakefield-vette

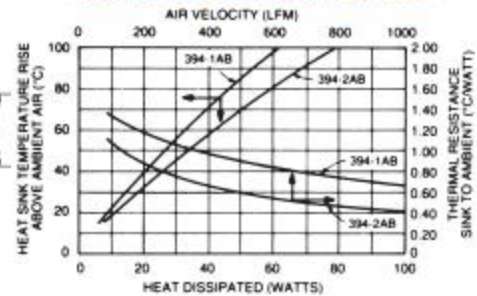
Standard P/N	Length in. (mm)	Overall Dimensions: in. (mm)		Device Base Mounting Area (mm)	Base Mounting Holes	Thermal Resistance at Typical Load	
		Height in. (mm)	Width in. (mm)			Natural Convection (θ_{sa}) ⁽¹⁾ (°C/W)	Forced Convection (θ_{sa}) (°C/W @ 500 LFM)
394-1AB	3.000 (76.2)	1.500 (38.1)	5.000 (127.0)	101 x 76	4	1.85	0.90
394-2AB	5.500 (139.7)	1.500 (38.1)	5.000 (127.0)	101 x 139	6	1.51	0.60
395-1AB	3.000 (76.2)	2.500 (63.5)	5.000 (127.0)	50 x 76	4	1.10	0.50
395-2AB	5.500 (139.7)	2.500 (63.5)	5.000 (127.0)	50 x 139	6	0.90	0.32
396-1AB	3.000 (76.2)	1.380 (35.1)	5.000 (127.0)	50 x 76	4	1.85	1.07
396-2AB	5.500 (139.7)	1.380 (35.1)	5.000 (127.0)	50 x 139	6	1.51	0.64

MECHANICAL DIMENSIONS

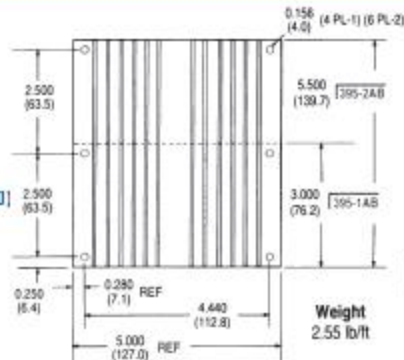
394 SERIES (EXTRUSION PROFILE 7332)



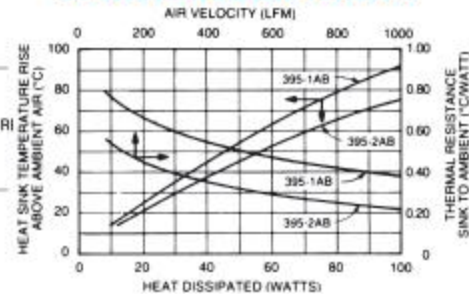
NATURAL AND FORCED CONVECTION CHARACTERISTICS



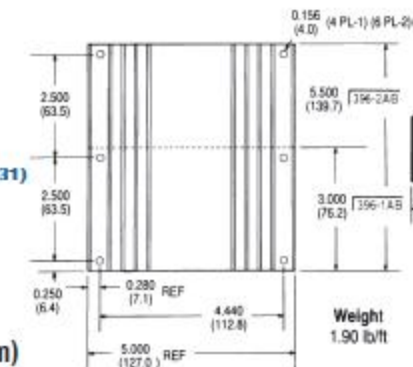
395 SERIES (EXTRUSION PROFILE 7330)



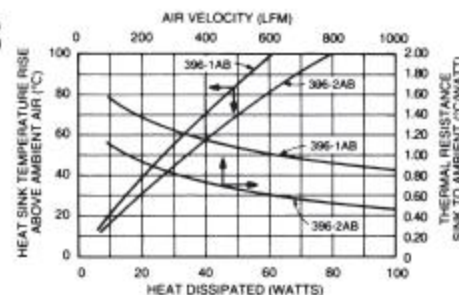
NATURAL AND FORCED CONVECTION CHARACTERISTICS



396 SERIES (EXTRUSION PROFILE 7331)



NATURAL AND FORCED CONVECTION CHARACTERISTICS



Dimensions: in. (mm)