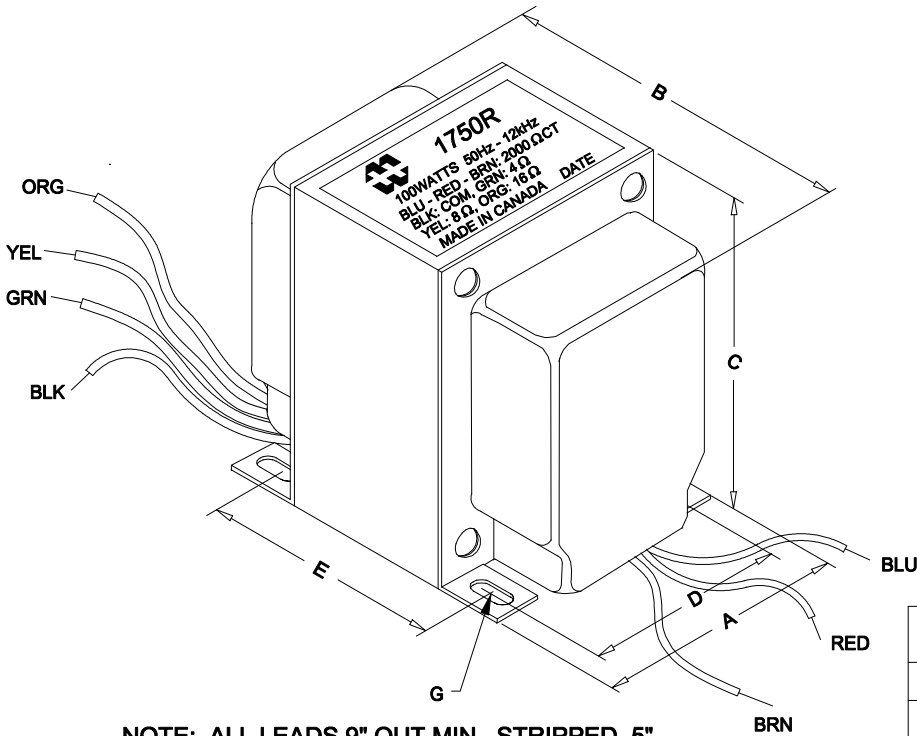
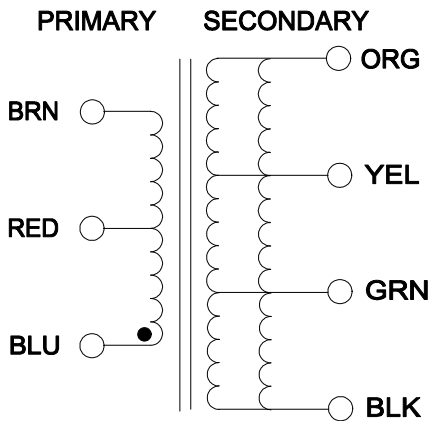


1750R



NOTE: ALL LEADS 9" OUT MIN., STRIPPED .5"

DIMENSIONS:	
A	3.750" ±0.063
B	3.936" ±0.125
C	4.560" ±0.063
D	3.000" ±0.063
E	2.813" ±0.063
F	3.125" ±0.063
G	0.203"X 0.375" ±0.015



ELECTRICAL DATA:	
Turns ratio:	11.11 : 1
Inductance	@240V,50Hz =>53.05H (Open circuit)
DCR	@ 20C, BLU - BRN =25.72 Ω ±20%
	@ 20C, BLU - RED = RED - BRN =12.86 Ω ±20%
	@ 20C, BLK - ORG =0.222 Ω ±20%
FREQ. RESP	@ 100W (447.2V), 50Hz-12kHz, BLU - BRN±1db (1kHz Ref.)
Pri. Impedance	2000 Ω CT (447.2V)
Sec. Impedance	4 Ω (20V 5A) / 8 (28.28V 3.536A) / 16 (40V 2.5A)
Power	100 WATTS



**HAMMOND
ELECTRONICS**

52 RANKIN PLACE,
WATERLOO, ONTARIO, N2L 3Z5.
PHONE (519) 886-6181
FAX # (519) 886-9540

TITLE				1750R
OUTPUT TRANSFORMER				
			DR BY IOAN POP	
0	05/11/09	PRELIMINARY.	I.P. DATE 05/11/09	
NO	DATE	REVISION	DIM IN(X)MM()	