

1

2

3

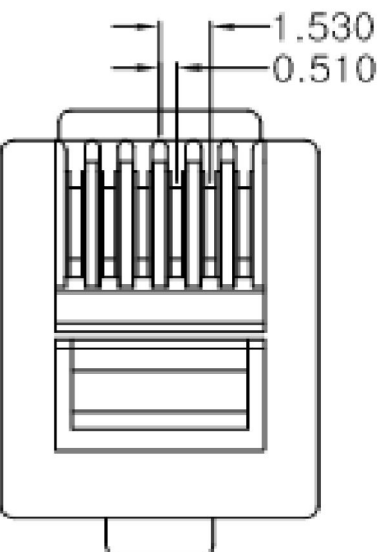
4

5

6

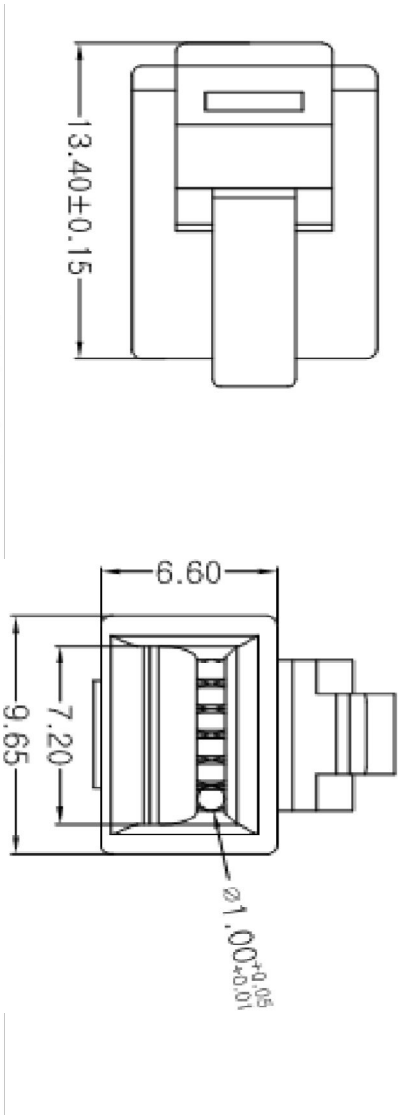
7

A



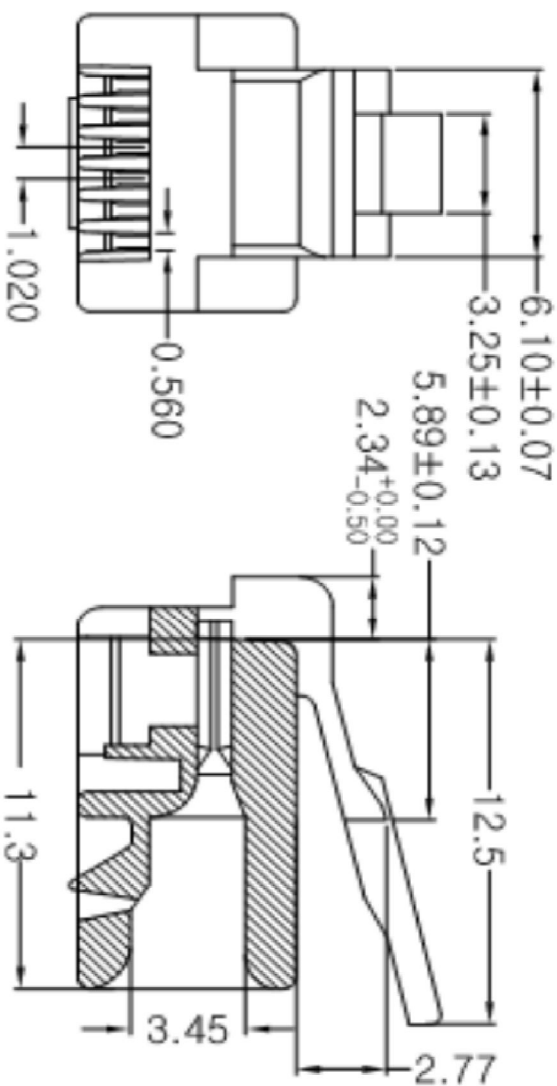
A

B



B

C



C

SPECIFICATIONS

HOUSING	POLY CARBONATE (PC) UL94V2
CONTACT BLADE	HIGH STRENGTH COPPER ALLOY
MATERIAL	100 MICRON NICKEL UNDERPLATED
PLATING TYPE	8% PHOSPHOR BRONZE
PLATING THICKNESS:	GOLD PLATED 6U*
OPERATING TEMP	-40° C TO 125° C
CURRENT RATING	250V AC MAX AT 2A
DIELECTRIC	500V AC
INSULATION RES	500MEGΩHMS

D

E

F

ROHS compliant

Unit: mm

Scale	Free								
TOLERANCE									
X.X	±0.2								
X.XX	±0.10								
X.XXX	±0.05								
DIM	TOL	①	Update drawing						
X.°	±3°	②	Drawn	12.06.2016	Joanna				
X.X°	±1.0°			04.06.2014	Joanna				
Angle	TOL	Id.	Modification	Date	Name				

Customer-No.

ASSMANN WSW-No.

A-MO 6/6-SF

Drawing-No.

ASS 0512 CO

rev01

Replace

Sheet

1

2

3

4

5

6

7

H

H