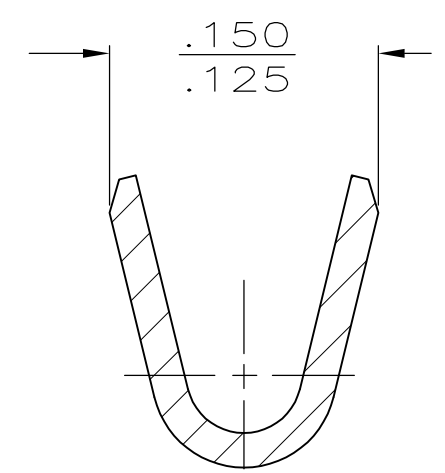
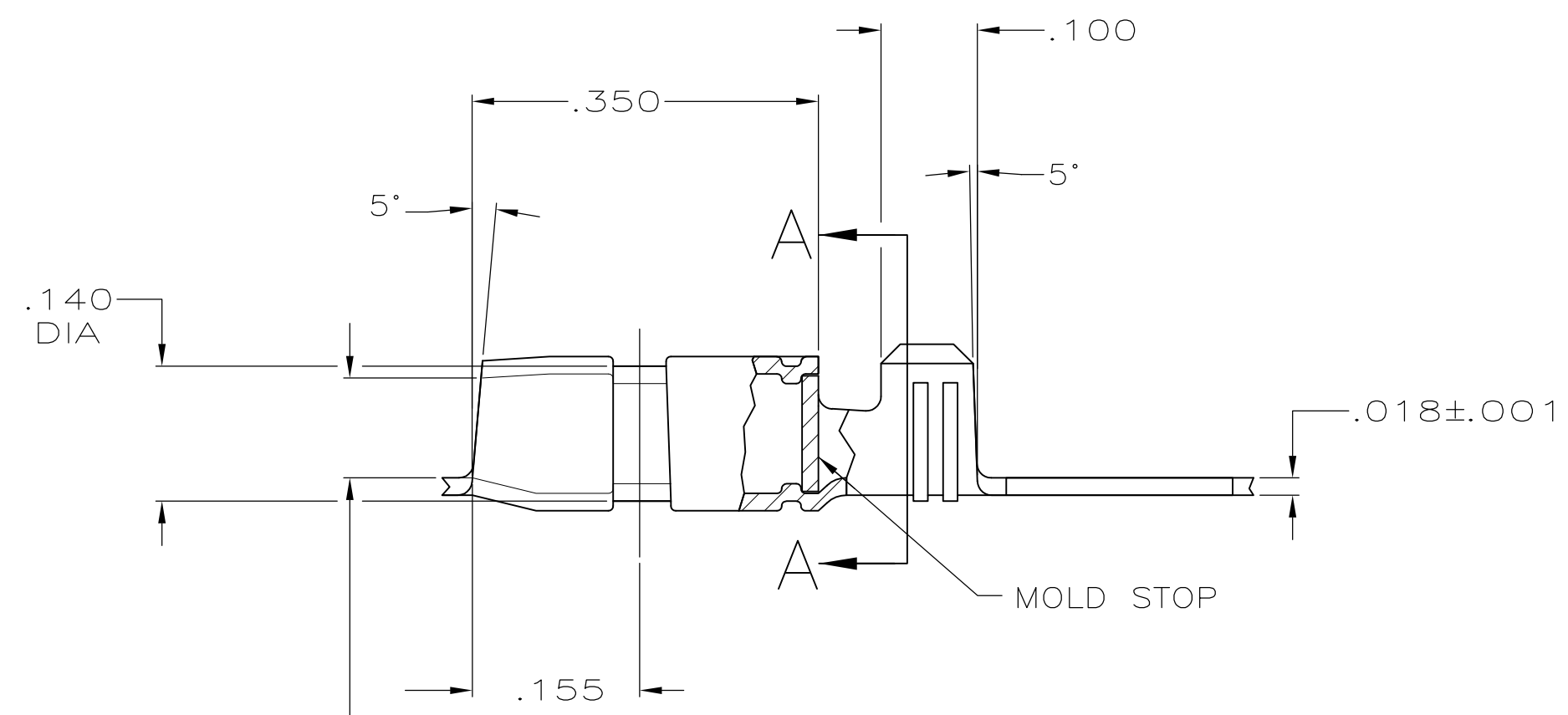
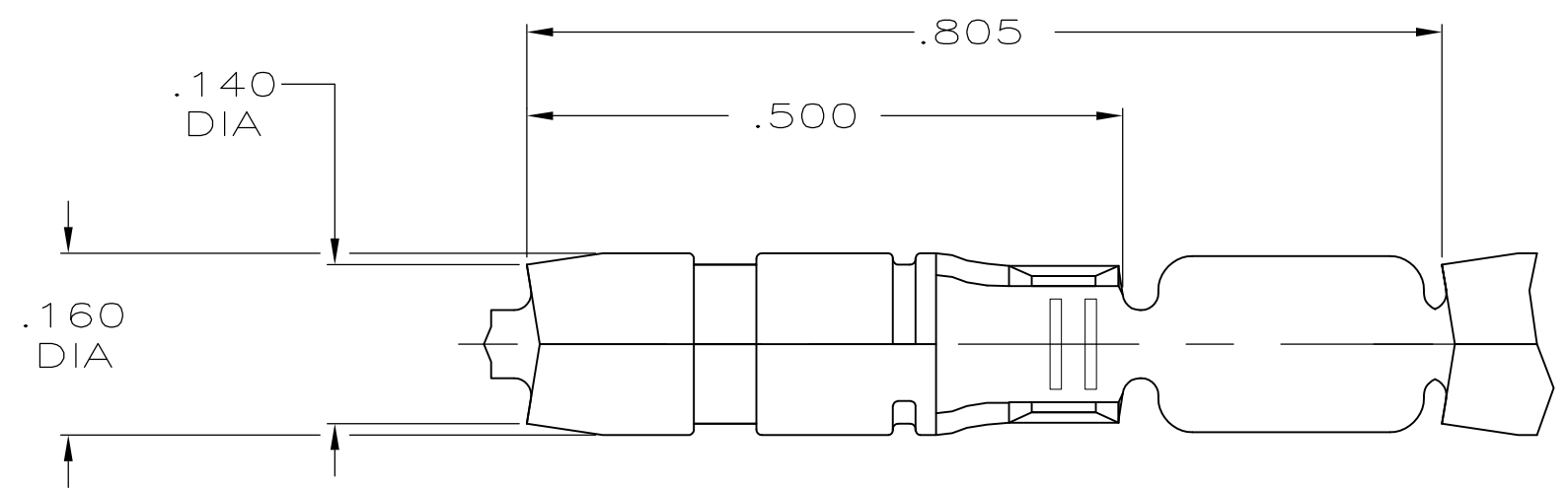


THIS DRAWING IS UNPUBLISHED. RELEASED FOR PUBLICATION  
 © COPYRIGHT BY TYCO ELECTRONICS CORPORATION. ALL INTERNATIONAL RIGHTS RESERVED.

LOC	DIST	REVISIONS			
P	LTR	DESCRIPTION	DATE	DWN	APVD
AF	50	F	REVISED PER ECR-09-007435	01APR09	HMR DD

- 1 CONTINUOUS STRIP ON REEL.
- 2 WIRE SIZE IS 18-14 AWG.
- 3 PRELIMINARY - NOT FOR PRODUCTION



TIN PLATE	3 1217606-2
PRE-TIN PLATE	1217606-1
FINISH	PART NO.

THIS DRAWING IS A CONTROLLED DOCUMENT.		DWN	JR RUTH	07MAR01	Tyco Electronics Corporation Harrisburg, PA 17105-3608	
DIMENSIONS: INCHES		CHK	MS FEHER	07MAR01		
		APVD	D DECKER	07MAR01	NAME	
TOLERANCES UNLESS OTHERWISE SPECIFIED:		PRODUCT SPEC		SHUR PLUG, .156 DIA		
0 PLC ± -		APPLICATION SPEC		SIZE		
1 PLC ± -		MATERIAL		CAGE CODE		
2 PLC ± -		081 BRASS		DRAWING NO		
3 PLC ± .010		FINISH		RESTRICTED TO		
4 PLC ± -		SEE TABLE		A3 00779 C-1217606		
ANGLES ± -		CUSTOMER DRAWING		SCALE		
FINISH		SCALE		SHEET		
SEE TABLE		6:1		1 OF 1		
		REV		F		