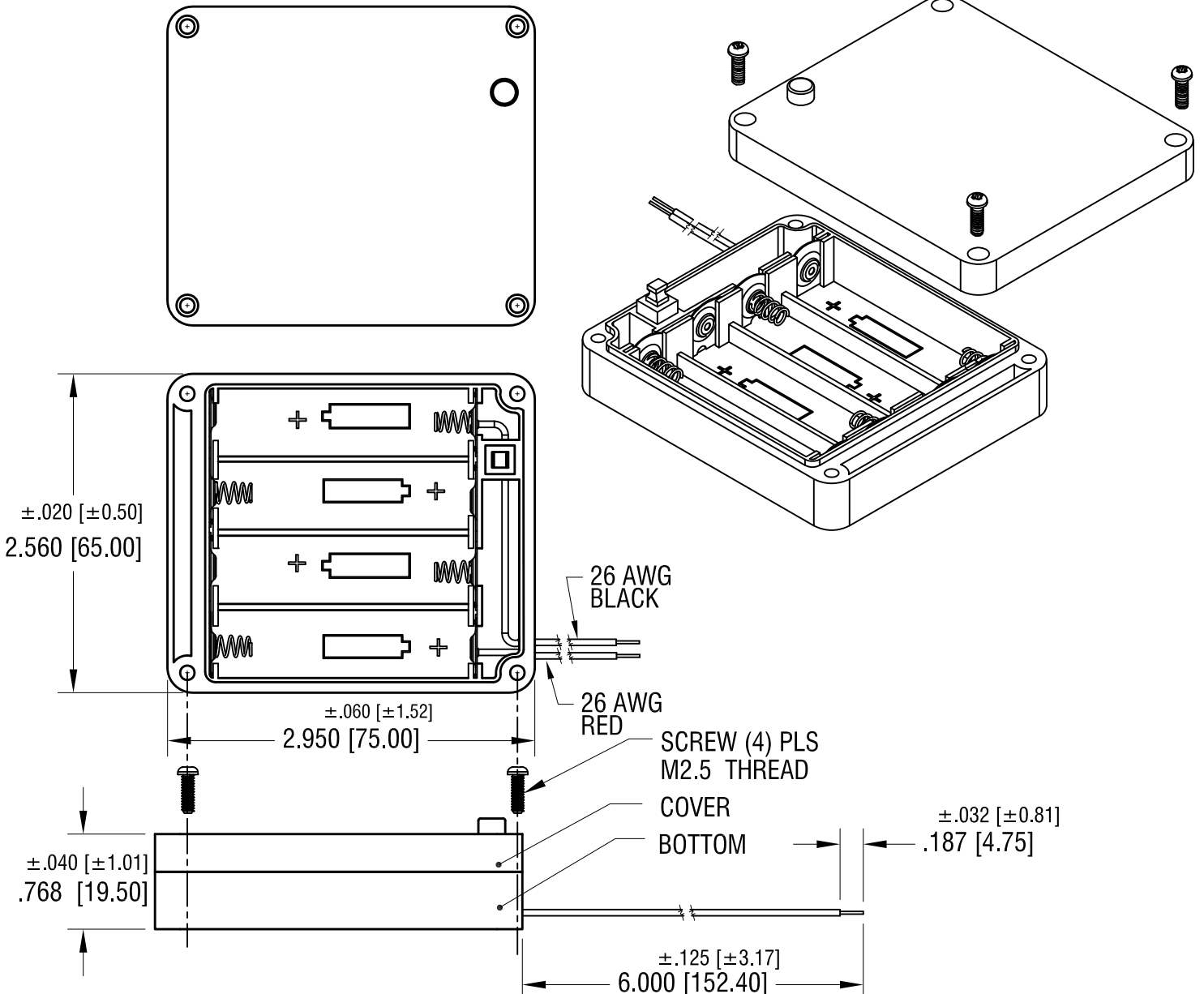


THIS DOCUMENT IS THE PROPERTY OF KEYSTONE ELECTRONICS CORP. AND SHALL NOT BE REPRODUCED, DISTRIBUTED OR USED AS A BASIS FOR MANUFACTURE WITHOUT PRIOR WRITTEN PERMISSION FROM KEYSTONE ELECTRONICS CORP.



**NOTE:**

1. HOLDER: MAT'L: ABS
2. SPRING: MAT'L: MUSIC WIRE, .020 [0.50] DIA.  
FINISH: NICKEL PLATE
3. SCREW: MAT'L- STEEL, ZINC PLATED
4. IP65 RATED FOR WATER, DUST AND HARSH ENVIRONMENTS

<b>KEYSTONE ELECTRONICS CORP.</b>			
www.keyelco.com • NEW HYDE PARK, NY 11040 • Tel (516) 328-7500			
PART NAME			
WATER RESISTANT BATTERY HOLDER (4) 'AA'			
MATERIAL			
AS NOTED			
FINISH		DRN BY	DATE
AS NOTED		NT	5.09.18
		APP'D	SCALE
		LN	.8X
TOLERANCES	INCH	[MM]	CODE
DECIMAL	± .010	[± 0.25]	C
ANGULAR	± 1°		
UNLESS OTHERWISE SPECIFIED			
		DRN BY	DATE
		APP'D	SCALE
		LN	.8X
		DRN BY	DATE
		APP'D	SCALE
		LN	.8X
		DRN BY	DATE
		APP'D	SCALE
		LN	.8X
		DRN BY	DATE
		APP'D	SCALE
		LN	.8X

DATE	DESCRIPTION	REV.	
------	-------------	------	--

2440