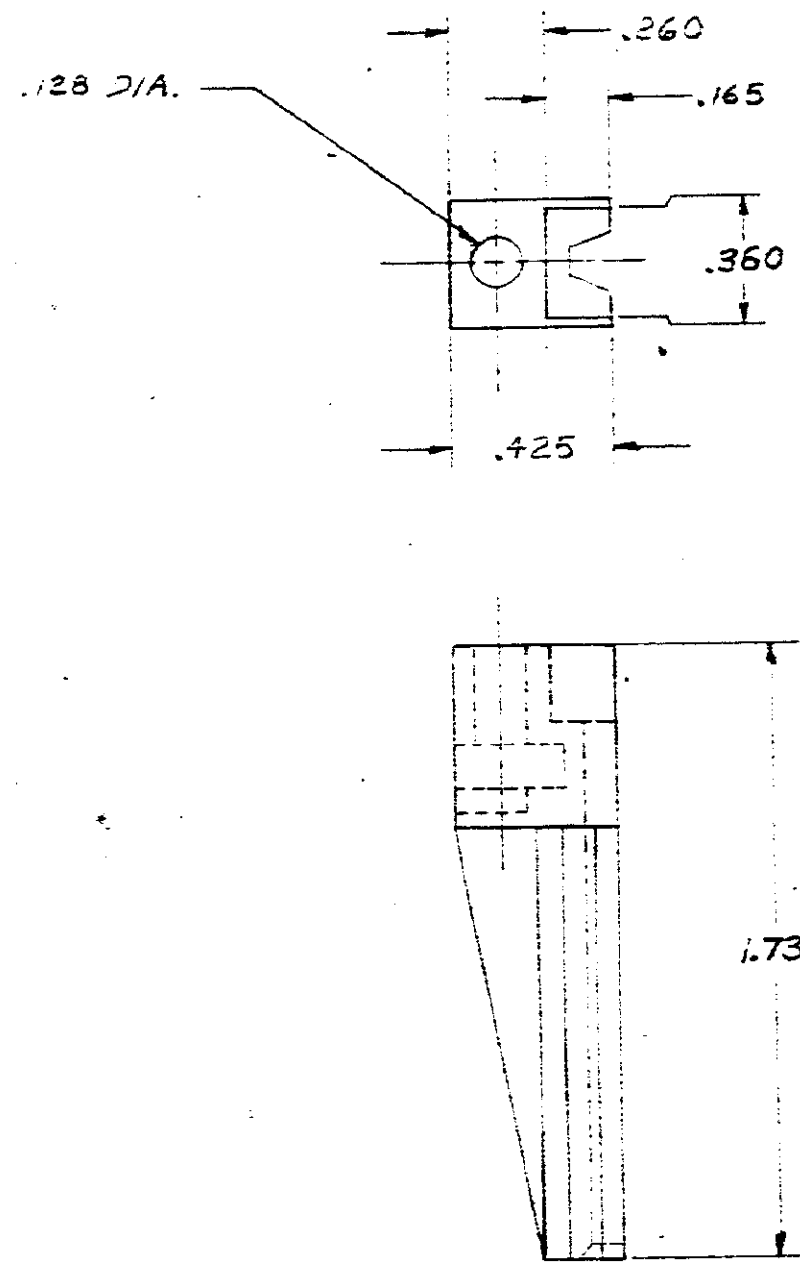


© 1969 BY AMP INCORPORATED. ALL RIGHTS RESERVED. AMP PRODUCTS COVERED BY PATENTS AND/OR PATENTS PENDING.

REVISIONS			
REV.	DESCRIPTION	DATE	APPROVED
0	REL. PER NPS 9-14252-1 E-2	6-19-69	EMS
A	REVISED PER ECN TP-1432	PRJ 12-4-69	
E	REVISED PER ECN TP-544	PRJ 2-9-70	PRJ
C	.62 WAC .59 TPC-1590	PRJ 2-18-70	



#5-40 SCREW  
(LENGTH = PANEL THK + .62)

PANEL

CONNECTOR

SMALL PATTERN HEX NUT

CARD GUIDE

**RECORD PRINT**  
RETURN TO FILE

BLUE	67764-2
BLACK	67764-1
COLOR	PART NO.

NOTE: ALL DIMENSIONS REFERENCE

UNLESS OTHERWISE SPECIFIED DIM. ARE IN INCHES. TOLERANCES ON: DECIMALS ± .010 ANGLES ±	CONTRACT NO.	<b>AMP</b>	AMP INCORPORATED HARRISBURG, PENNSYLVANIA	
	OR <i>Robert L. Lab 4/22/69</i>		NAME <b>CARD GUIDE, END</b>	
MATERIAL GLASS-FILLED NYLON	CHK <i>E. L. Smith 6/19/69</i>	SIZE <b>B</b>	CODE IDENT NO. <b>00779</b>	NUMBER <b>67764</b>
HEAT TREAT —H—	APPD <i>E. L. Smith 6/19/69</i>	SCALE 2:1	WT	CALC
FINISH —H—	DSSN APPD	ACTUAL	SHEET 1 OF 2	
OTHER APPD				

LOC	PRINT DIST
AD 25	C

© 1969 BY AMP INCORPORATED. ALL RIGHTS RESERVED. AMP PRODUCTS COVERED BY PATENTS AND/OR PATENTS PENDING.

REVISIONS			
LTR	DESCRIPTION	DATE	APPROVED
0	Released Per NPS 9-14252	6-23-69	
A	Revised & Redrawn Per EGN TP-1432 See next page for Revisions	12-17-69	

These Card Guides are recommended for use with the TERMI-TWIST Connectors listed below


**BLACK**  
67764-1

- 67031-7
- 67031-9
- 1-67031-3
- 1-67031-4
- 1-67031-5
- 1-67031-7
- 1-67031-8
- 2-67031-2
- 2-67031-4
- 2-67031-6
- 2-67031-7
- 2-67031-8
- 3-67031-1
- 3-67031-2
- 3-67031-3
- 3-67031-6
- 3-67031-8
- 3-67031-9
- 4-67031-1
- 4-67031-2
- 67040-1
- 67040-2
- 67040-4
- 67040-5
- 67040-6
- 67040-8
- 67686-1
- 67747-2

**BLUE**  
67764-2

- 67031-2
- 67031-3
- 67031-5
- 67031-6
- 1-67031-0
- 1-67031-1
- 1-67031-9
- 2-67031-5
- 3-67031-4
- 4-67031-0
- 4-67031-4
- 67040
- 67040-3
- 67040-9
- 1-67040-1
- 1-67040-2
- 67077-1
- 67747-1

**RECORD PRINT**  
RETURN TO FILE

UNLESS OTHERWISE SPECIFIED DIMENSIONS ARE IN INCHES TOLERANCES ON: DECIMALS ± .005 ANGLES ± .01	CONTRACT NO.		 AMP INCORPORATED HARRISBURG, PENNSYLVANIA
	DR. <i>F. J. Smith</i>	DATE <i>12-17-69</i>	
	NAME		CARD GUIDE - END
	CHK. <i>F. J. Smith</i>	APPD.	
MATERIAL	REL. <i>F. J. Smith</i>	DSGN APPD.	SIZE <b>A</b> CODE IDENT NO. <b>00779</b> NUMBER <b>67764</b>
	OTHER APPD.	SCALE <i>1/16"</i>	SHEET <b>2 of 2</b>