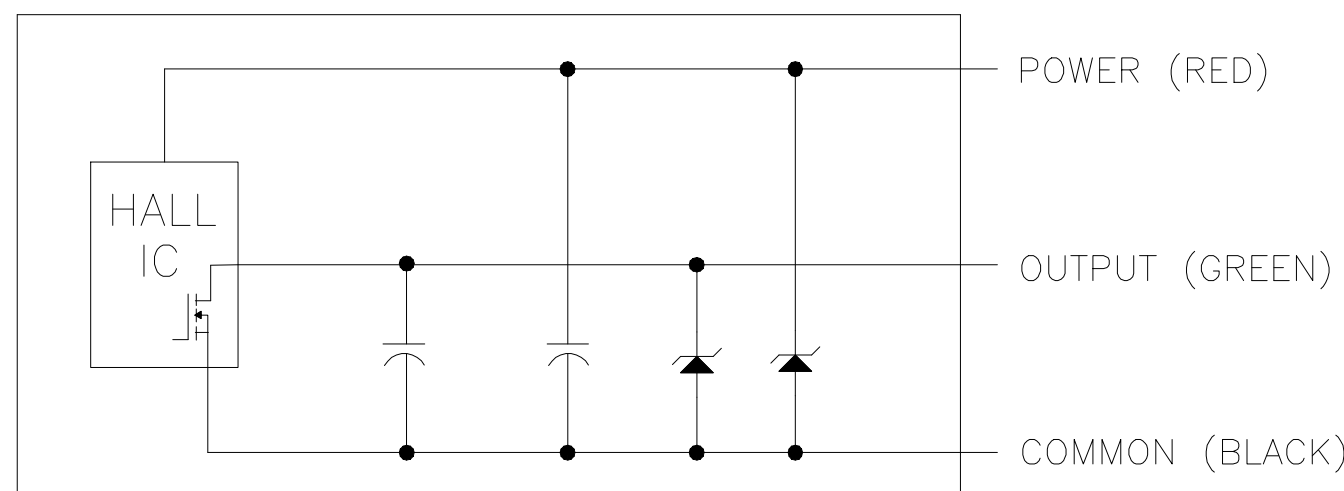
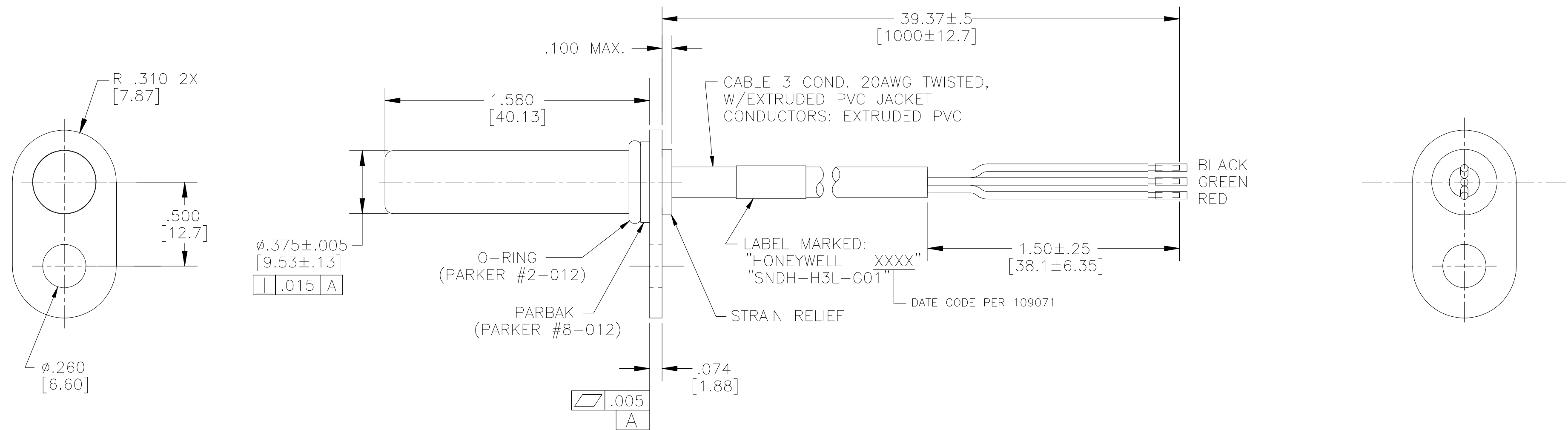


PARAMETER	MIN	MAX	UNIT	CONDITION
SUPPLY VOLTAGE	4.0	24	VDC	
SUPPLY CURRENT	-	6	mA	
OUTPUT CURRENT	-	30	mA	Short Ckt Protected
OUTPUT ON VOLTAGE	-	0.6	VDC	at 25 mA load
OUTPUT CONFIG.	-	-	-	Open Drain MOSFET
TARGET ORIENTATION	-	-	-	Omnidirectional
DUTY CYCLE	35	65	Max	Within Operating Gap
OPERATING FREQUENCY	0	15	KHZ	
OPERATING TEMP	-40	121	°C	For Sensor Head
OPERATING TEMP	-40	105	°C	For Sensor Cable
DIELECTRIC	-	200	VDC	-

NOTES:
1. DIMENSIONS IN BRACKETS [] ARE IN MILLIMETERS.



DESIGN UNITS: INCH	DRAWN	BNR	30JUL12	Honeywell
TOLERANCES UNLESS NOTED:	CHECK	HMP	30JUL12	
NO PLACES X ± **	THIS DRAWING COVERS A PROPRIETARY ITEM AND IS THE PROPERTY OF HONEYWELL. THIS DRAWING IS NOT TO BE COPIED OR USED WITHOUT THE PERMISSION OF HONEYWELL.			TITLE
ONE PLACE .X ± .*				ZERO SPEED HALL
TWO PLACE .XX ± .03				SMOOTH .375 X 1.69
THREE PLACE .XXX ± .010				SIZE
FOUR PLACE .XXXX ± .005				CAGE CODE
ANGLES X ± 5°				DRAWING NAME
THIRD ANGLE PROJECTION	INTERPRET PER ASME Y14.5M-1994 OTHER HONEYWELL ENGINEERING STANDARDS MAY APPLY			REV
	AUTOCAD 2D			SCALE NONE
	SHEET 1 OF 1			