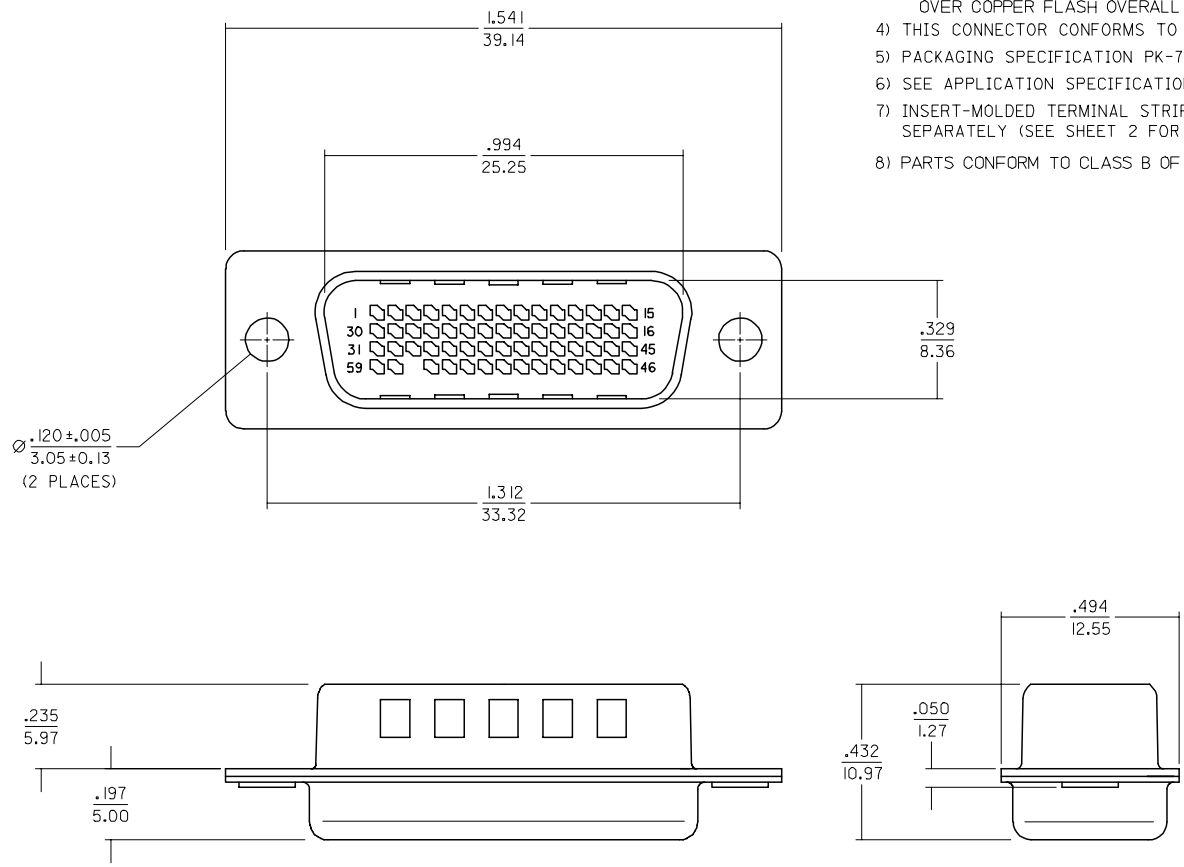


13 12 11 10 9 8 7 6 5 4 3 2 1

ITEM NUMBER	PRODUCT DESCRIPTION	FRONT SHELL PLATING
75135-1000	DMS-59 I/O PLUG CONNECTOR	BRIGHT TIN
75135-1009	DMS-59 I/O PLUG CONNECTOR	BRIGHT NICKEL

**NOTES:**

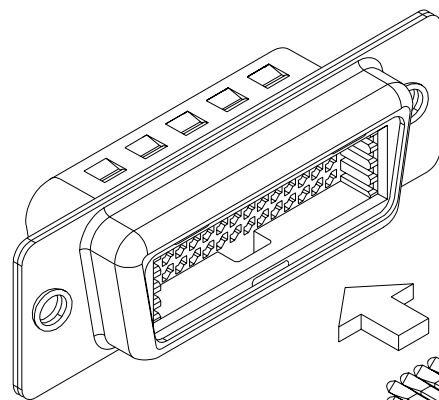
- 1) PLASTIC HOUSING:  
GLASS FILLED LCP (LIQUID CRYSTAL POLYMER), UL94 V-0, COLOR: NATURAL.
- 2) FRONT SHELL:  
DEEP DRAWN STEEL:  
PLATING: SEE TABLE  
BRIGHT TIN: 150-250 MICRONS BRIGHT TIN OVER 50-150 MICRONS NICKEL OVER COPPER FLASH OVERALL (OPTIONAL).  
BRIGHT NICKEL: 100-175 MICRONS BRIGHT NICKEL OVER 50 MICRONS MAXIMUM COPPER OVERALL.
- 3) BACK SHELL:  
DEEP DRAWN STEEL:  
PLATING: 150-250 MICRONS BRIGHT TIN OVER 50-150 MICRONS NICKEL OVER COPPER FLASH OVERALL (OPTIONAL).
- 4) THIS CONNECTOR CONFORMS TO PRODUCT SPECIFICATION PS-75134-001.
- 5) PACKAGING SPECIFICATION PK-70873-0236 APPLIES.
- 6) SEE APPLICATION SPECIFICATION PS-70929 FOR ASSEMBLY AND TERMINATION DETAILS.
- 7) INSERT-MOLDED TERMINAL STRIP ASSEMBLIES ARE SUPPLIED SEPARATELY (SEE SHEET 2 FOR ORDERING INFORMATION).
- 8) PARTS CONFORM TO CLASS B OF COSMETIC SPECIFICATION PS-45499-002.



2	A
1	D
SHT	REV

ADD COSMETIC SPEC FC NO: UCP2007-2622 DRW: DMORGAN 2007/09/13 CHK: MS BARRA 2007/09/13 APPR: SMILLER 2007/09/13 REV:	QUALITY SYMBOLS =0 =0	GENERAL TOLERANCES (UNLESS SPECIFIED) mm INCH 4 PLACES ± .010 ± .004 3 PLACES ± .015 ± .006 2 PLACES ± 0.25 ± .015 1 PLACE ± 0.38 ± .015 ANGULAR ± 1/2°	DIMENSION STYLE IN/MM DRAWN BY DATE DMORGAN 2002/10/17 CHECKED BY DATE BBARKER 2002/10/17 APPROVED BY DATE SMILLER 2002/10/17 MATERIAL NO.	SCALE 4:1 DESIGN UNITS INCH THIRD ANGLE PROJECTION	TITLE SALES DMS-59 I/O PLUG LFH .050/1.27 PITCH 59 CKT CABLE ASSY MOLEX INCORPORATED DOCUMENT NO. SD-75135-001 SHEET NO. 1 OF 2	
	DRAFT WHERE APPLICABLE MUST REMAIN WITHIN DIMENSIONS		SEE TABLE	THIS DRAWING CONTAINS INFORMATION THAT IS PROPRIETARY TO MOLEX INCORPORATED AND SHOULD NOT BE USED WITHOUT WRITTEN PERMISSION		
			SIZE C			

12 11 10 9 8 7 6 5 4 3 2 1



PLUG CONNECTOR  
75135-1000

70984-10\*\*  
(15 CIRCUIT STICK)  
(3 REQUIRED PER ASSEMBLY)

INSERT MOLDED TERMINAL STICKS  
SUPPLIED SEPARATELY  
SEE SALES DRAWING SDA-70984-100\* FOR 70984-10\*\*  
SEE SALES DRAWING SD-70984-100 FOR 70984-109\*  
NOTE: STICKS SHOWN WITH CARRIER REMOVED

70984-109\*  
(14 CIRCUIT STICK)  
(1 REQUIRED PER ASSEMBLY)

INITIAL RELEASE EC NO. UCP2003-0543 DRWING: DMORGAN 02/10/17 CHK: BBARKER 02/10/17 APPR: SMILLER 02/10/17	QUALITY SYMBOLS MAJOR $\blacktriangledown$ = CRITICAL $\nabla$ = DESCRIPTION	GENERAL TOLERANCES: (UNLESS SPECIFIED)		SCALE :	DESIGN UNITS <input type="checkbox"/> mm <input checked="" type="checkbox"/> INCH	DIMENSIONS: <input type="checkbox"/> mm <input checked="" type="checkbox"/> INCH <input type="checkbox"/> mm ONLY	THIRD ANGLE PROJECTION	SHT 2	REV 2
		4 PLACES $\pm 0.$ $\pm .$	DRAWN BY & DATE DMORGAN 02/10/17	TITLE: SALES DMS-59 I/O PLUG LFH .050/1.27 PITCH 59 CKT CABLE ASSY					
		3 PLACES $\pm 0.$ $\pm .010$	CHECKED BY & DATE BBARKER 02/10/17	MOLEX INCORPORATED					
		2 PLACES $\pm 0.25$ $\pm .015$	APPROVED BY & DATE SMILLER 02/10/17	CAD FILENAME	MATERIAL NO. SEE CHART	DRAWING NO. SD-75135-001	SHEET NO. 2		
1 PLACE $\pm 0.38$ $\pm .$	ANGLAR: $\pm 1/2^\circ$	DRAFT WHERE APPLICABLE MUST REMAIN WITHIN DIMENSIONS		THIS DRAWING CONTAINS INFORMATION THAT IS PROPRIETARY TO MOLEX INCORPORATED AND SHOULD NOT BE USED WITHOUT WRITTEN PERMISSION.			SIZE C		