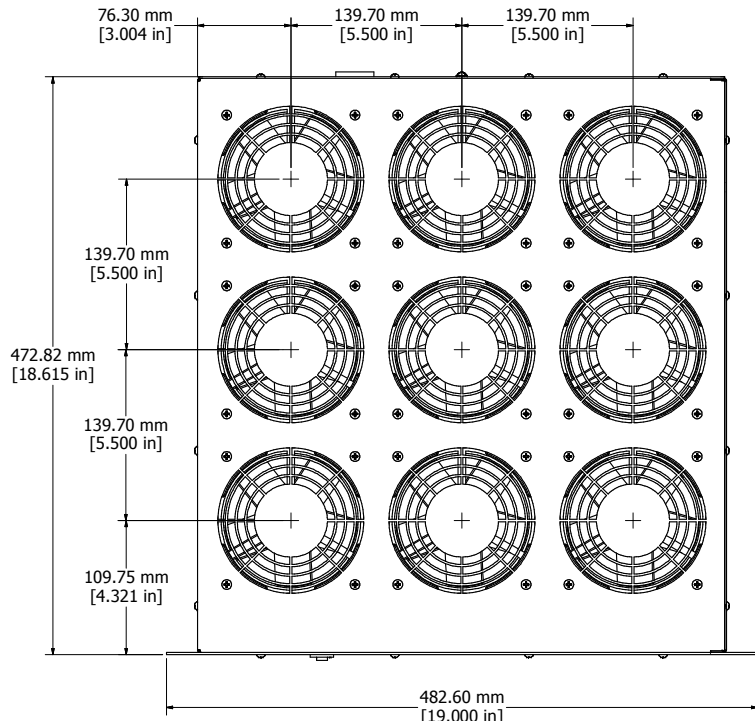
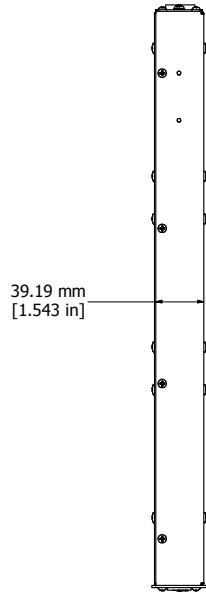


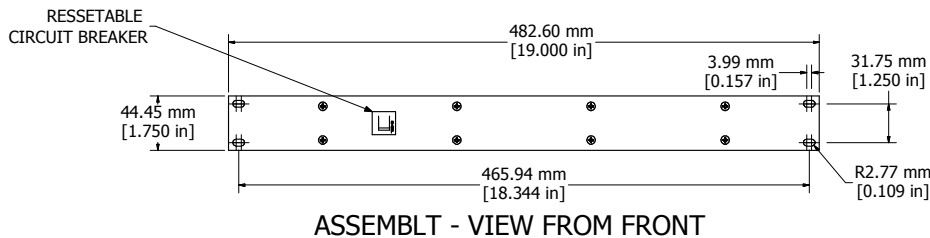
ASSEMBLY - VIEW FROM SIDE



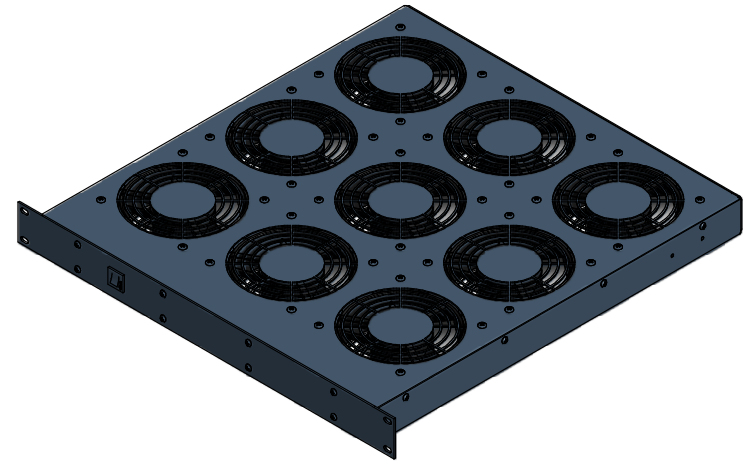
ASSEMBLY - VIEW FROM TOP



ASSEMBLY - VIEW FROM SIDE



ASSEMBLY - VIEW FROM FRONT



ISOMETRIC VIEW

<b>FT900TA1220BK</b>
Finish - Black Textured Powder Paint
Rated - 230 VAC, 50/60 Hz, 3 Amps
Free Flow Air Delivery - 900 CFM
<b>ACCESSORIES INCLUDED</b>
Mounting Instructions
Rear Mount Brackets & Hardware
Extension Brackets & Hardware

**HAMMOND MANUFACTURING™**

**FT900TA1220BK**

www.hammondmfg.com