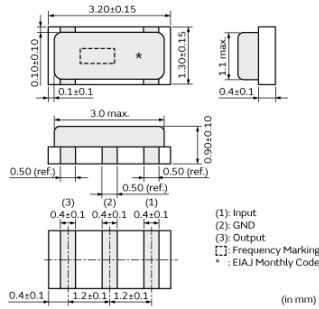


# CSTNE14M7V530000R0

In Production Recommended RoHS REACH

## Appearance & Shape



## Features

MURATA's package technology expertise has enabled the development of the Chip CERALOCK(R) with built-in load capacitors.

High-density mounting is made possible by the small package and the elimination of the need for an external load capacitor.

### Features

1. Oscillation circuits do not require external load capacitors.
2. Available for a wide frequency range.
3. Extremely small and have a low profile.
4. No adjustment is necessary for oscillation circuits.
5. Stable supply is ensured due to not using precious metal(Palladium).

## Applications

Other Usage	Consumer/Industrial
-------------	---------------------

## Packaging Information

Packaging	Specifications	Minimum Order Quantity
R0	180mm Embossed Tape	3000

### Attention

1. This datasheet is downloaded from the website of Murata Manufacturing Co., Ltd. Therefore, its specifications are subject to change or our products in it may be discontinued without advance notice. Please check with our sales representatives or product engineers before ordering.
2. This datasheet has only typical specifications because there is no space for detailed specifications. Therefore, please review our product specifications or consult the approval sheet for product specifications before ordering.

# CSTNE14M7V530000R0

## Specifications

Shape	SMD
Frequency	14.746MHz
Frequency Tolerance	±0.50%
Operating Temperature Range	-40°C to 85°C
Frequency Shift by Temperature	±0.30%
Frequency Aging	±0.20%
Wash	Not available
Resonant Impedance	40Ω
Built-in Load Capacitance	15pF

### Attention

- 1.This datasheet is downloaded from the website of Murata Manufacturing Co., Ltd. Therefore, it's specifications are subject to change or our products in it may be discontinued without advance notice. Please check with our sales representatives or product engineers before ordering.
- 2.This datasheet has only typical specifications because there is no space for detailed specifications.  
Therefore, please review our product specifications or consult the approval sheet for product specifications before ordering.