

THIS DRAWING IS UNPUBLISHED.

RELEASED FOR PUBLICATION

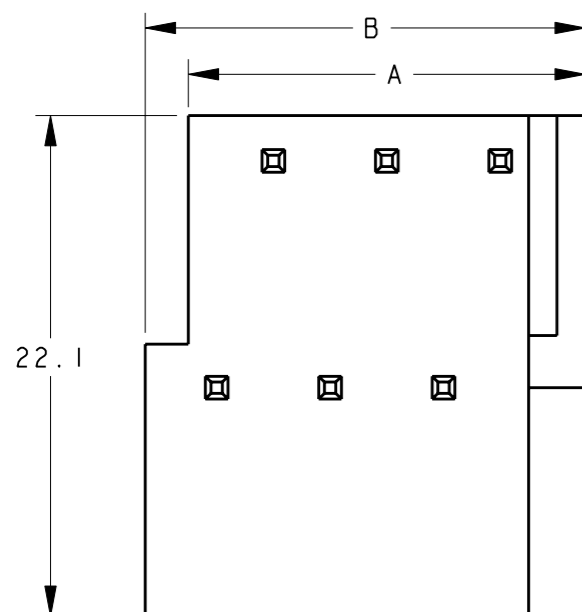
20

LOC FT DIST 0

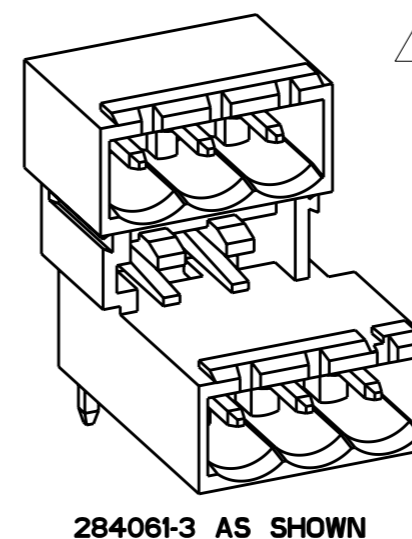
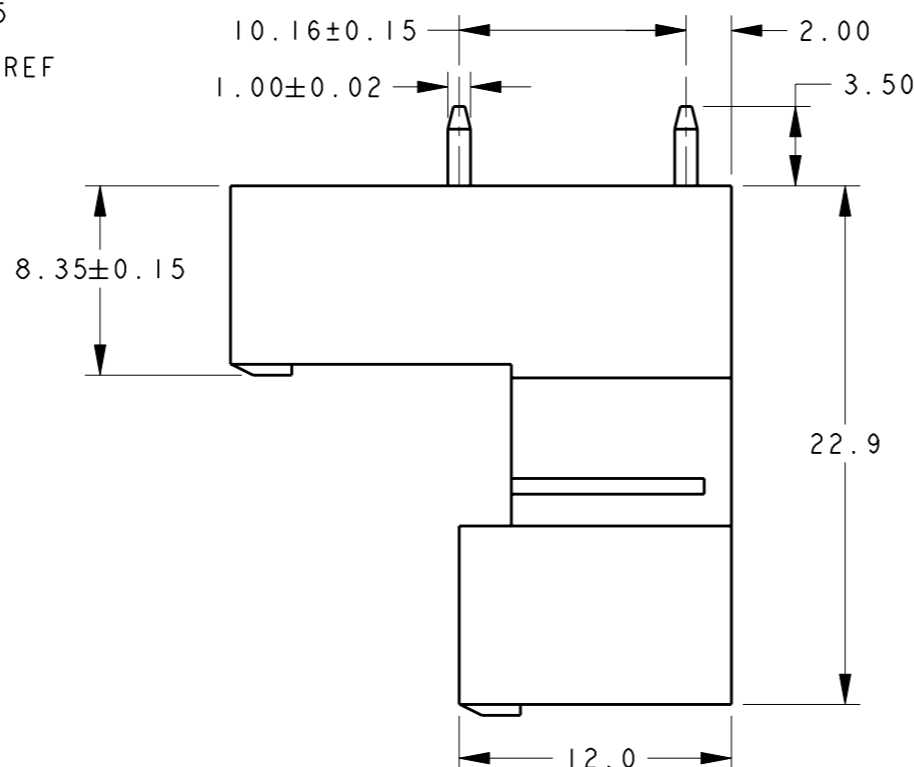
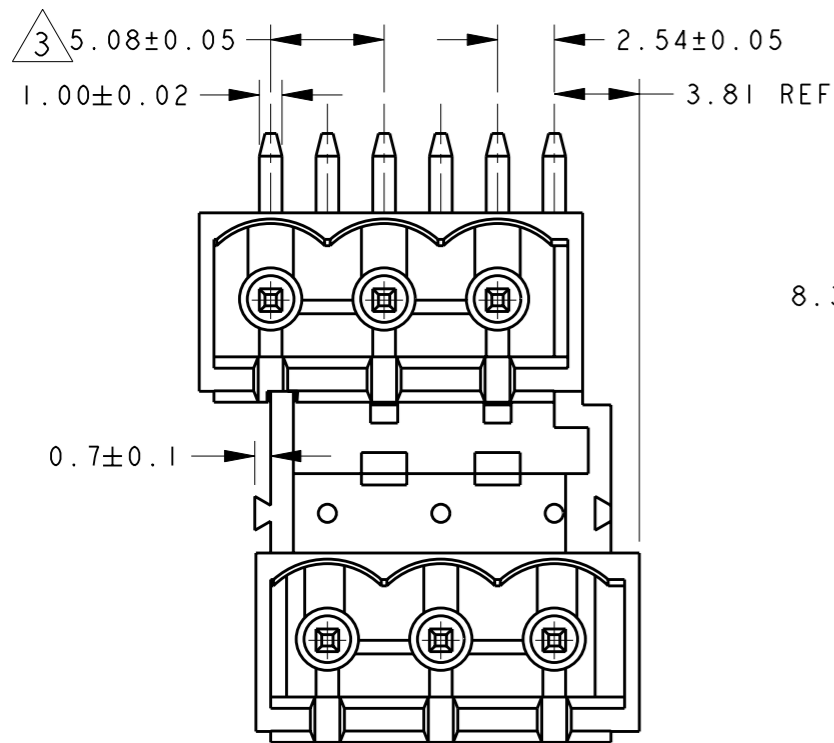
REVISIONS

© COPYRIGHT 20 BY - ALL RIGHTS RESERVED.

P	LTR	DESCRIPTION	DATE	DWN	APVD
	B2	REVISED PER ECO-12-007714	28APR2012	KH	MS

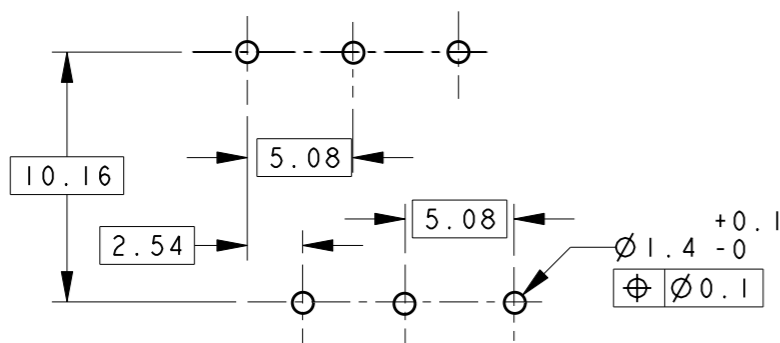


- 1 MATERIALS AND FINISH  
HOUSING: PA 6-6, UL 94-V0, COLOR GREEN.  
TERMINAL: COPPER ALLOY, TIN PLATED.
- 2 SUITABLE FOR 1,6-2,4mm PC BOARD THICKNESS.
- 3 NOT CUMULATIVE TOLERANCE.
- 4 P/N FROM 284061-3 TO 2-284061-5 ARE OBTAINED BY ASSEMBLING DIFFERENT MONOLITHIC MODULES CHOSEN AMONG: 284061-2 AND 284061-3, IN ORDER TO REALIZE THE DESIRED NUMBER OF WAYS.
- 5 P/N 2-284061-6 IS OBTAINED BY ASSEMBLING AND GLUING TOGETHER 4 P/N 284061-3 AND 3 P/N 284061-2.



DIM"A"	DIM"B"	N°OF TOTAL POS.	PART NUMBER
83.32	85.86	16	2-284061-6
129.04	131.58	25	2-284061-5
123.96	126.50	24	2-284061-4
118.88	121.42	23	2-284061-3
113.80	116.34	22	2-284061-2
108.72	111.26	21	2-284061-1
103.64	106.18	20	2-284061-0
98.56	101.10	19	1-284061-9
93.48	96.02	18	1-284061-8
88.40	90.94	17	1-284061-7
83.32	85.86	16	1-284061-6
78.24	80.78	15	1-284061-5
73.16	75.70	14	1-284061-4
68.08	70.62	13	1-284061-3
63.00	65.54	12	1-284061-2
57.92	60.46	11	1-284061-1
52.84	55.38	10	1-284061-0
47.76	50.30	9	284061-9
42.68	45.22	8	284061-8
37.60	40.14	7	284061-7
32.52	35.06	6	284061-6
27.44	29.98	5	284061-5
22.36	24.90	4	284061-4
17.28	19.82	3	284061-3
12.20	14.74	2	284061-2

RECOMMENDED PC BOARD LAYOUT



THIS DRAWING IS A CONTROLLED DOCUMENT.		DWN 24JAN2002 E. ZANOLINI		TE Connectivity	
DIMENSIONS: mm		CHK 24JAN2002 E. ZANOLINI			
TOLERANCES UNLESS OTHERWISE SPECIFIED:		APVD 24JAN2002 D. BIEVENOUR		NAME	
0 PLC ±.3		PRODUCT SPEC		TERMINAL BLOCK	
1 PLC ±.25		APPLICATION SPEC		MULTIPLE HEADER, 90 DEGREE	
2 PLC ±.25		WEIGHT		CLOSED ENDS 5.08mm PITCH	
3 PLC ±.		CUSTOMER DRAWING		SIZE A3	
4 PLC ±.		SCALE 3:1		CAGE CODE 00779	
ANGLES ±2		SHEET 1 OF 1		DRAWING NO C-284061	
FINISH		REV B2		RESTRICTED TO	